

431 Series

Deck Box

#431-424 Submersible Deck Box: Two 3/4" NPT side conduit taps; four 3/4" NPT bottom fixture conduit taps with internal strain relief/cord seals.



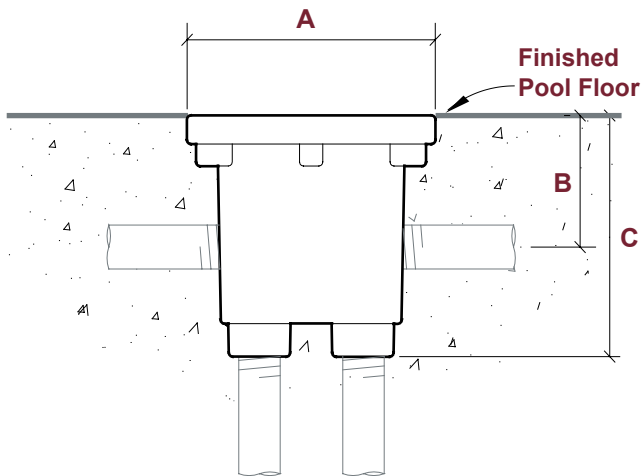
Function:

The **431 Series Submersible Deck Boxes** are designed for the connection of our 411 Series Wet Niche Light or any other type of niche mounted light fixture. The boxes can also be used to consolidate the wiring and conduit runs from junction boxes prior to a "home run" to the control panel.

The standard box is supplied with two 3/4" NPT side conduit taps, four 3/4" NPT bottom fixture taps, internal fixture grounding/bonding screws, and an external bonding screw. Unused penetrations can be plugged or the box can be special ordered with the required penetrations. The junction box taps have internal strain relief/cord seals for 16-3 submersible cable.

Key Features:

- 60 cubic inch internal volume.
- Cast bronze construction with stainless steel fasteners and internal ground screws.
- Includes neoprene cover gasket.



Model	A	B
All	6" Square	5-1/2"

Model	Order #	Description	Shipping Weight
431-424	270-27378	Junction Box with (2) 1" N.P.T. Side Taps and (4) 3/4" Bottom Taps with internal strain cord seals	18.0 lbs
431-4249	270-27414	Junction Box with (2) 1" N.P.T. Side Taps and (4) 3/4" Bottom Taps	18.0 lbs